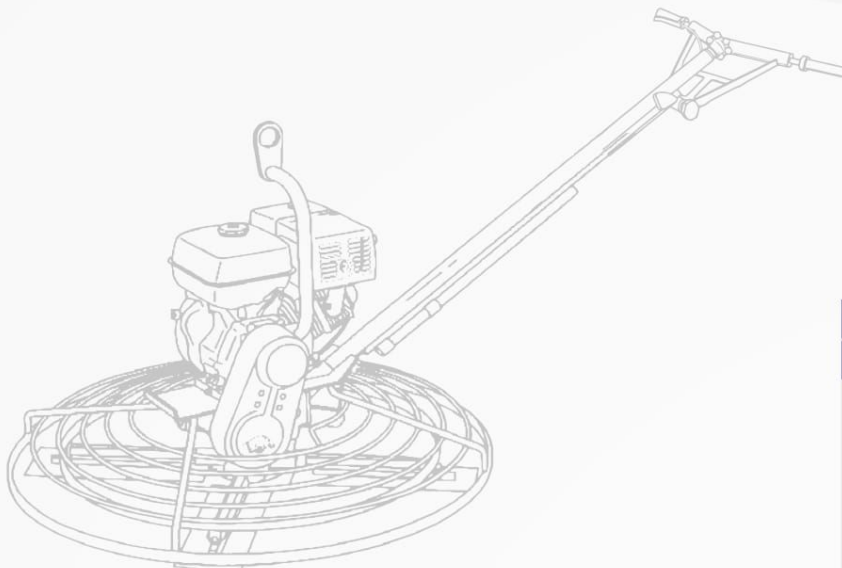


STANDARD POWER TROWELS

Built for performance, long life and easy operation

- Guaranteed Gear Box for heavy trowelling and rough handling
- Centrifugal Safety Stop switch that shuts the engine down automatically in the event of operational emergencies
- Precision control for blade pitch to ensure precise blade adjustment
- Sturdy tri-tube chrome plated handle engineered to provide greater leverage and ease of control
- Chrome guard ring for easy cleaning
- Lifting hook for easy transport
- Universal blades interchangeable with major trowel brands
- Choice of various Petrol and Diesel engines like Honda, Robin, B&S Lombardini etc.

Product Code	Model	Engine Type	Engine	Power HP	Path mm	Weight Kgs
BTC436SL	436-90	Petrol	Honda GX-160	5.5	900	75
BTC436200SL	436-90	Petrol	Honda GX-200	6.0	900	75
BTC4362SL	436-90	Petrol	Honda GX-270	9.0	900	85
BTC4363SL	436-90	Petrol	Honda GX-340	11.0	900	92
BTC436SLLD	436-90	Diesel	Lombardini I5LD	7.5	900	92
BTC446SL	446-120	Petrol	Honda GX-270	9.0	1200	110
BTC4461SL	446-120	Petrol	Honda GX-340	11.0	1200	115
BTC4463SL	446-120	Petrol	Honda GX-390	13.0	1200	115
BTC446SLLD	446-120	Diesel	Lombardini I5LD	7.5	1200	110



Consumables Product Codes		
Model	Blades	Pans
436-90	000203	000226
	000191	
	000171	
446-120	000204	000227
	000192	
	000173	

